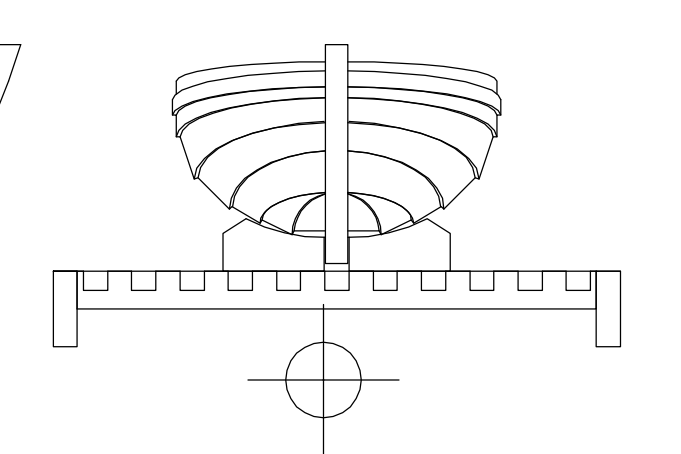
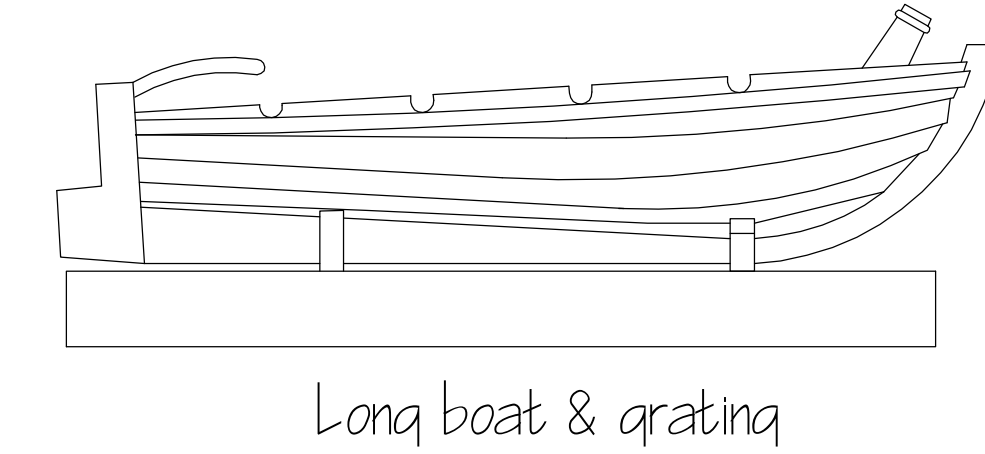
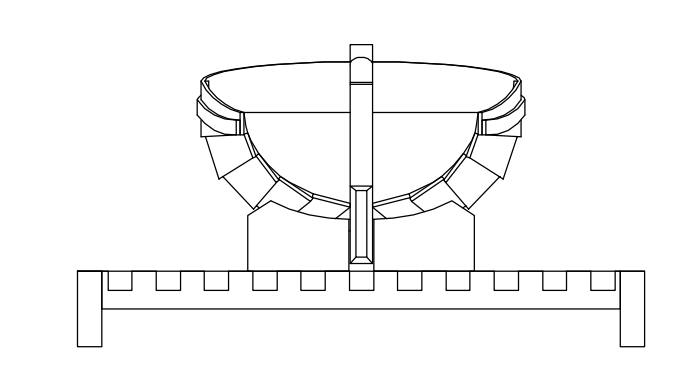


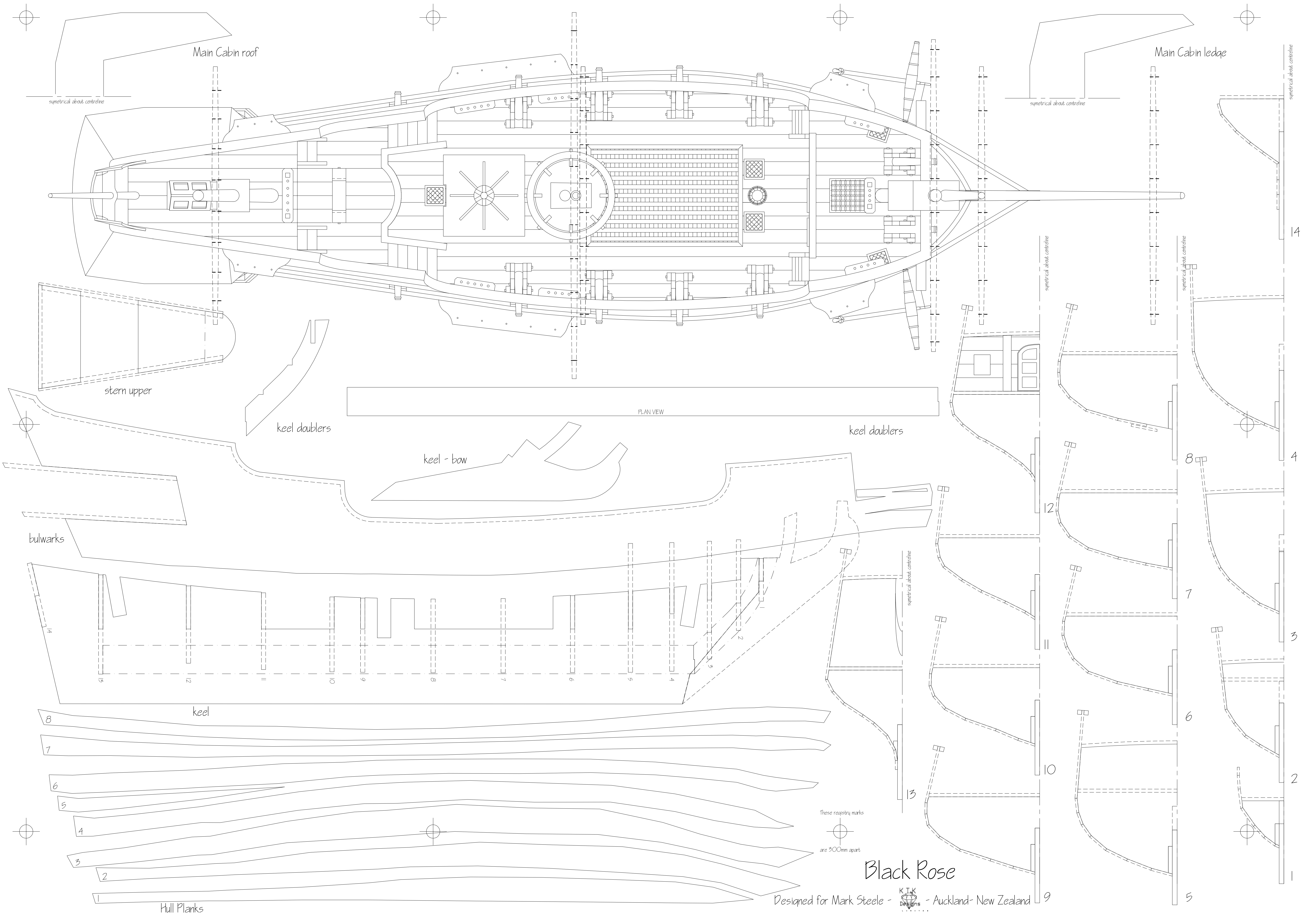
Black Rose

Designed for Mark Steele - Auckland - New Zealand

1/48th scale B1 size Drawings researched, designed & drawn by Harold H. Duncan - May 2010

These registry marks are 500mm apart





These registry marks
 are 300mm apart

Black Rose

Designed for Mark Steele - KIK Designs - Auckland - New Zealand